

ATSMFG

Manufacturing Excellence Since 1996



Equipment Catalog

Effective March 1st, 2026

We Are On **AUTOQUOTES**

atsmfg.com

— About Us

Your trusted partner for high-quality furniture, equipment, and sourcing solutions across the foodservice industry. Since 1996, ATS MFG has built its reputation on American-made craftsmanship, durable construction, and stylish designs that stand up to the demands of everyday commercial use. As we continue to grow, we now offer a broader range of product lines and container-level wholesale options to support the evolving needs of our dealers and end users.

WHO WE ARE

At ATS MFG, we are more than a manufacturer. We are your solutions partner. From booth seating, chairs, barstools, and table tops to equipment, tableware, stainless-steel essentials, and faucets, we provide end-to-end sourcing that helps your business operate with confidence. Whether you need custom manufacturing or large-scale importing, our team combines technical expertise with responsive service to ensure you receive the right products at the right value.

OUR COMMITMENT TO YOU

With nearly three decades of industry experience, we understand the unique challenges of foodservice operations. ATS MFG is committed to delivering products that balance durability, style, and affordability, all backed by reliable lead times and transparent support. Our goal is simple: to make procurement easier, more efficient, and more cost-effective, so you can focus on running a successful business.

Contact Us

Have a question? csr@atsmfg.com

Place orders po@atsmfg.com

Shipping & freight quote freight@atsmfg.com

Make a payment AcctsRec@atsmfg.com

Phone: 770-270-1688

Fax: 770-270-5919



FLO Commercial Faucets

Heavy Duty Pre-Rinse Faucet

Description

This pre-rinse faucet with sprayer is perfect for rinsing excess food and sauce off your dishes prior to running them through your commercial dish machine. Intended for janitorial and dishwashing use, this faucet is ideal for dish rooms, schools, grocery stores, kitchens, and more.

Features

- FLO-988 equipped with color coded quarter-turn ceramic cartridge, offering superior durability and leak resistance
- All stainless steel sprayer head for FLO-988 series
- FLO-981 equipped with color coded compression valves, ceramic cartridge replacement available
- 3-Ply, 400 psi tested 44" hose
- 1.2 GPM spray head
- Approximately 45" overall height
- Lead free



FLO-988

FLO-981



Lead Free Faucets

All faucets conform to AB 1953 and 2014 Federal Lead Free Standards.

Item #	Description	Inlet Type	PCS/Case	lbs/Case
FLO-988	8" Wall Mount, Quarter-turn ceramic valve	1/2 NPT Female	4	46.1
FLO-981*	4" Deck Mount	1/2 NPT Female	4	49.2
FLO-988B	Pre-rinse base, Quarter-turn ceramic valve	1/2 NPT Female	12	47.4

- Quarter-turn ceramic cartridges construction
- 2.0 GPM aerator at 60 psi
- Lead free



Lead Free Faucets

All faucets conform to AB 1953 and 2014 Federal Lead Free Standards.

Optional Add-On:



FLO-944/945

Item #	Description	PCS/Case	lbs/Case
FLO-944	Add-on Faucet with 12" Spout	12	25.6
FLO-945	Add-on Faucet with 14" Spout	12	26.0

◇ Add-on Faucet sets available (See next page)

Heavy Duty Pre-Rinse Faucet Sets

Description

This pre-rinse faucet with sprayer is perfect for rinsing excess food and sauce off your dishes prior to running them through your commercial dish machine. Intended for janitorial and dishwashing use, this faucet is ideal for dish rooms, schools, grocery stores, kitchens, and more.

Features

- FLO-988 with 12" or 14" add on spout, quarter-turn ceramic cartridges with color coded handles
- All stainless steel sprayer head for FLO-988 series
- FLO-981 with 12" or 14" add on spout, compression valves with color coded handles, ceramic cartridge replacement available
- 1.2 GPM sprayer head
- Heavy duty brass construction and polished chrome finish
- 44" standard hose
- Lead free



FLO-98812
FLO-98814



FLO-98112
FLO-98114



Lead Free Faucets

All faucets conform to AB 1953 and 2014 Federal Lead Free Standards.

Item #	Description	Inlet Type	
FLO-98812	8" Wall Mount Pre-Rinse Faucet with 12" Spout (Ceramic)	1/2 NPT Female	
FLO-98814	8" Wall Mount Pre-Rinse Faucet with 14" Spout (Ceramic)	1/2 NPT Female	
FLO-98112*	4" Deck Mount Pre-Rinse Faucet with 12" Spout	1/2 NPT Female	
FLO-98114*	4" Deck Mount Pre-Rinse Faucet with 14" Spout	1/2 NPT Female	

Accessory:



FLO-9300



FLO-9200



FLO-9201



FLO-9203



FLO-9210



FLO-904



FLO-911

Item #	Description	
FLO-9300	Ultra-Spray Valve, with 0.65 GPM nozzle, interchangeable with FLO-9200 & FLO pre-rinse units.	
FLO-9200	1.2 GPM Pre-Rinse Spray Valve, heavy-duty body with metal construction to prevent leaks	
FLO-9201	Hose grip, lead free	
FLO-9203	Blue bumper rings for 9200 spray valve	
FLO-9210	Hose hook for FLO pre-rinse units	
FLO-904	Pre-rinse hose spring	
FLO-911	Pre-rinse hose assembly with hose grip, 44", lead free	

◇ Contact us for Pre-rinse replacement parts

Wall Mount Faucet

Features

Commercial Duty Faucet

- Engineered for performance & durability
- Reinforced double O-ring valves with Hot & Cold color coded handles
- Heavy duty brass construction and polished chrome body
- Heavy duty double O-ring swivel spout
- Lead free

Lead Free Faucets
All faucets conform to AB 1953 and 2014 Federal Lead Free Standards.



FLO-700 series

Item #	Description	PCS/Case	lbs/Case
FLO-706	Wall Mount Faucet 8" with 6" Spout	12	36.8
FLO-708	Wall Mount Faucet 8" with 8" Spout	12	36.4
FLO-710	Wall Mount Faucet 8" with 10" Spout	12	34.2
FLO-712	Wall Mount Faucet 8" with 12" Spout	12	35.3
FLO-714	Wall Mount Faucet 8" with 14" Spout	12	41.0
FLO-716	Wall Mount Faucet 8" with 16" Spout	12	42.8

Features

Heavy Duty Faucet

- Engineered for high performance & durability
- Quarter-turn ceramic cartridges with Hot & Cold color coded handles
- Heavy duty brass construction and polished chrome body
- Heavy duty double O-ring swivel spout
- Lead free

Lead Free Faucets
All faucets conform to AB 1953 and 2014 Federal Lead Free Standards.



FLO-800 series

Item #	Description	PCS/Case	lbs/Case
FLO-808	Wall Mount Faucet 8" with 8" Spout (Compression Valve)	12	53.8
FLO-810	Wall Mount Faucet 8" with 10" Spout	12	55.1
FLO-812	Wall Mount Faucet 8" with 12" Spout	12	56.5
FLO-814	Wall Mount Faucet 8" with 14" Spout	12	59.1
FLO-816	Wall Mount Faucet 8" with 16" Spout	12	56.7

Replacement Parts:

	Item #	Description	PCS/Case	lbs/Case
	FLO-100	Stem check unit for 700 Series, Cold	12	53.8
	FLO-101	Stem check unit for 700 Series, Hot	12	55.1
	FLO-102	Quarter-turn ceramic cartridge for 800 & 900 series, Cold	20	56.5
	FLO-103	Quarter-turn ceramic cartridge for 800 & 900 series, Hot	20	59.1
	FLO-4789W	Mounting kit for FLO Wall Mount Faucets	20	14.0

4" Wall / Deck Mount Faucet

Features 4" Wall Mount Faucet for Hand Sink

- Engineered for high performance & durability
- Reinforced double O-ring valves with Hot & Cold color coded handles
- Compression nuts & washers attached
- Heavy duty double O-ring swivel spout
- 1/2" NPS male inlets
- Stem check unit replacement available
- Lead free



Lead Free Faucets

All faucets conform to AB 1953 and 2014 Federal Lead Free Standards.



FLO-410

Item #	Description	PCS/Case	lbs/Case
FLO-410	4" Wall Mount Faucet with 3-1/2" Gooseneck Spout	24	58.0
FLO-4105	4" Wall Mount Faucet with 5" Gooseneck Spout	24	62.0

Features 4" Deck Mount Faucet for Bar Sink

- Engineered for high performance & durability
- Reinforced double O-ring valves with Hot & Cold color coded handles
- Compression nuts & washers attached
- Heavy duty double O-ring swivel spout
- 1/2" NPS male inlets
- Stem check unit replacement available
- Lead free



Lead Free Faucets

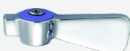




All faucets conform to AB 1953 and 2014 Federal Lead Free Standards.



FLO-420

Item #	Description	PCS/Case	lbs/Case
FLO-420	4" Deck Mount Faucet with 3-1/2" Gooseneck Spout	24	58.0
FLO-4205	4" Deck Mount Faucet with 5" Gooseneck Spout	24	62.0

Replacement Parts:

	Item #	Description	PCS/Case	lbs/Case
	FLO-122	B-Handle, Cold, with Blue index	20	3.0
	FLO-123	B-Handle, Hot, with Red index	20	3.0
	FLO-161	Stem Assembly for 4-series, Cold	20	6.0
	FLO-162	Stem Assembly for 4-series, Hot	20	6.0
	FLO-4789D	Mounting kit for FLO Deck Mount faucets	20	14.0

Wall / Deck Mount Faucets

Features

4" Wall Mount Faucet for Hand Sink

- Engineered for high performance & durability
- Reinforced double O-ring valves with Hot & Cold color coded handles
- Compression nuts & washers attached
- Heavy duty double O-ring swivel spout
- 1/2" NPS male inlets
- Stem check unit replacement available
- Lead free



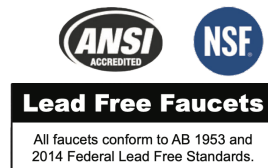
FLO-4106

Item #	Description	PCS/Case	lbs/Case
FLO-4106	4" Wall Mount Faucet with 6" Spout	24	52.7
FLO-4108	4" Wall Mount Faucet with 8" Spout	12	28.0
FLO-4110	4" Wall Mount Faucet with 10" Spout	12	28.0
FLO-4112	4" Wall Mount Faucet with 12" Spout	12	30.4

Features

4" Deck Mount Faucet

- Engineered for high performance & durability
- Reinforced double O-ring valves with Hot & Cold color coded handles
- Compression nuts & washers attached
- Heavy duty double O-ring swivel spout
- 1/2" NPS male inlets
- Stem check unit replacement available
- Lead free



FLO-4206

Item #	Description	PCS/Case	lbs/Case
FLO-4206	4" Deck Mount Faucet with 6" Spout	24	45.4
FLO-4208	4" Deck Mount Faucet with 8" Spout	12	28.0
FLO-4210	4" Deck Mount Faucet with 10" Spout	12	28.0
FLO-4212	4" Deck Mount Faucet with 12" Spout	12	30.4

Handle Waste Valve with Strainer

Features

Lever Handle Waste Valve



FLO-302



Lead Free Faucets

All faucets conform to AB 1953 and 2014 Federal Lead Free Standards.

Item #	Description	PCS/Case	lbs/Case
FLO-302	Lever Handle Waste Valve 3-1/2" Sink Opening, 2" Drain Outlet	12	46.3

Features

Twist Handle Waste Valve



FLO-303





Lead Free Faucets

All faucets conform to AB 1953 and 2014 Federal Lead Free Standards.

Item #	Description	PCS/Case	lbs/Case
FLO-303	Twist Handle Waste Valve 3-1/2" Sink Opening, 2" Drain Outlet	12	44.1

Replacement Parts:

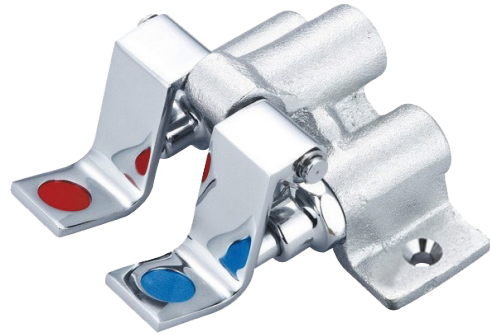
	Item #	Description	PCS/Case	lbs/Case
	FLO-300PT	3-1/2" Rubber Seal Washer for FLO Waste Valves	20	1.0
	FLO-305PT	Flat strainer for twist handle waste	20	2.0

Operation Valve

Features

Foot Pedal Operation Valve

- Engineered for high performance & durability
- Rough chrome plated body
- Self closing valves
- Red & blue indexed brass pedals with polished chrome finish
- 1/2" NPT female inlets & 1/2" NPT female outlet
- Replacement for self-closing valve available



FLO-202

Lead Free Faucets

All faucets conform to AB 1953 and 2014 Federal Lead Free Standards.



Item #	Description	PCS/Case	lbs/Case
FLO-202	Foot Pedal Operation Valve with Red & Blue index	12	35.8

Features

Knee Action Operation Valve

- Engineered for high performance & durability
- Rough chrome plated body
- Self closing valves
- Red & blue indexed brass pedals with polished chrome finish
- 1/2" NPT female inlets & 1/2" NPT female outlet
- Replacement for self-closing valve available



FLO-203


Lead Free Faucets

All faucets conform to AB 1953 and 2014 Federal Lead Free Standards.



Item #	Description	PCS/Case	lbs/Case
FLO-203	Knee Action Valve with Red & Blue index	12	47.2

Replacement Parts:

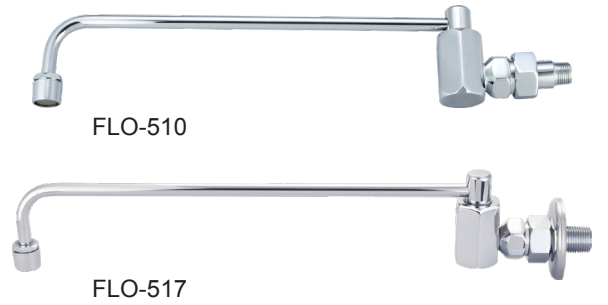
Item #	Description	PCS/Case	lbs/Case
 FLO-907	Spray Valve Assembly, Lead free, for Knee and Foot Operated Valves	20	6.0

Wok Range Faucet

Features

Automatic Wok Range Faucet with 14" Spout

- 3/8" or 1/2" NPT male inlet
- 14" Spout
- Automatic turns on when spout is swung over wok
- Lead free

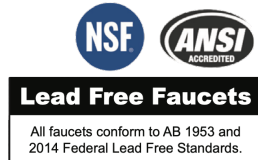


Item #	Description		PCS/Case	lbs/Case
FLO-510	Automatic Wok Range Faucet 3/8" Inlet		24	44.0
FLO-517	Automatic Wok Range Faucet 1/2" Inlet		24	44.0

Features

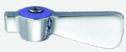

Chinese Wok Range Faucet with 14" Spout

- Single wall mount
- 14" Spout
- 2.0 GPM aerator 1/2" NPS male inlet
- Full replacement parts available
- Lead free



Item #	Description		PCS/Case	lbs/Case
FLO-513	Chinese Range Faucet 1/2" Inlet		24	54.0

Replacement Parts:

	Item #	Description		PCS/Case	lbs/Case
	FLO-122	B-Handle, Cold, with Blue index		20	1.0
	FLO-104	Stem Check Unit for Chinese Wok Faucet, stainless steel indicator		20	2.0

Service Sink Faucet

Features

Service Sink Faucet with Support Bracket

- 8" center heavy duty quality
- Quarter-turn ceramic cartridge with color coded handles, offering superior durability and leak resistance
- Built-in vacuum breaker
- 6-1/2" Spout with 3/4" hose thread
- Wall bracket with 12" rod
- 1/2" NPT female inlets
- Full replacement parts available
- Lead free

Lead Free Faucets

All faucets conform to AB 1953 and 2014 Federal Lead Free Standards.



FLO-840

Item #	Description
FLO-840	Service Sink Faucet with Support Bracket

Replacement Parts:

	Item #	Description	PCS/Case	lbs/Case
	FLO-102	Quarter-turn ceramic cartridge for 800 & 900 series, Cold	20	11.0
	FLO-103	Quarter-turn ceramic cartridge for 800 & 900 series, Hot	20	11.0
	FLO-122	B-Handle, Cold, with Blue index	20	3.0
	FLO-123	B-Handle, Hot, with Red index	20	3.0
	FLO-841PT	Vacuum Breaker Repair Kit	N/A	N/A

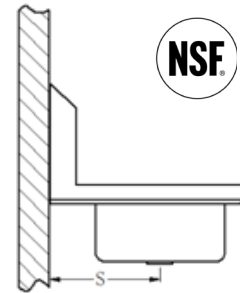
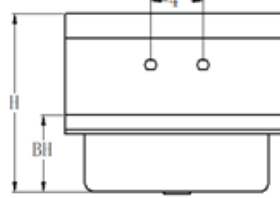
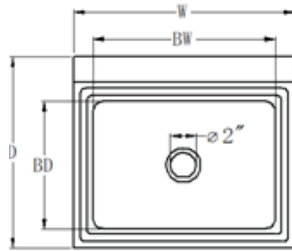


MET Stainless Steel

Wall Mount Hand Sinks

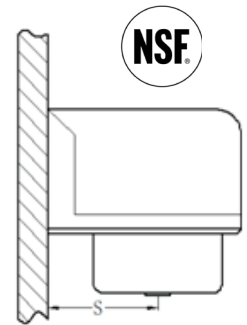
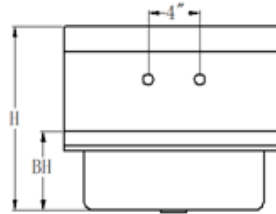
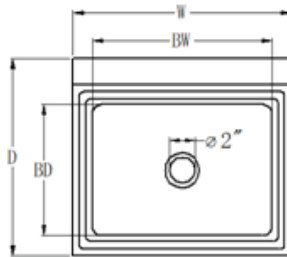
Description

- 6" height backsplash with 2" return
- 304 S/S sink top and bowl
- Z-clip mounting bracket included
- 4" wall mounted faucet and 1-1/2" drainer included
- NSF listed



HS-1517S

Item #	D x W x H	BD x BW x BH	S	Weight
HS-1512S	15-3/4" x 12" x 14"	9" x 9" x 3-3/4"	8-1/2"	7 lbs
HS-1517S	15-3/4" x 17" x 14"	10" x 14" x 6"	8-1/2"	13 lbs



HS-1517BS

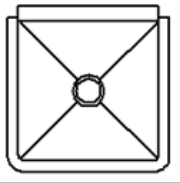
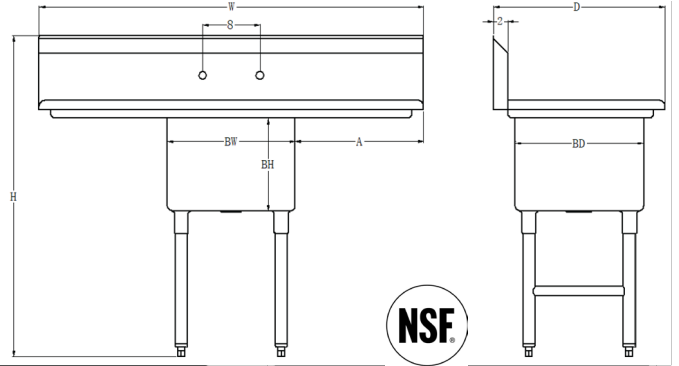
Item #	D x W x H	BD x BW x BH	S	Weight
HS-1512BS	15-3/4" x 12" x 14"	9" x 9" x 3-3/4"	8-1/2"	10 lbs
HS-1517BS	15" x 17" x 14"	10" x 14" x 6"	8-1/2"	16 lbs

Compartment Sinks

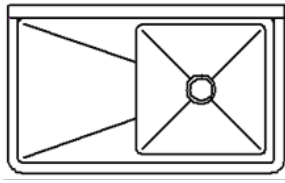
1-Compartment

Description

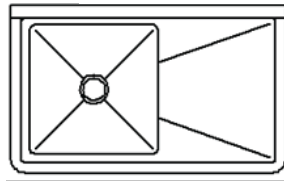
- 11-1/2" height backsplash
- 304 S/S 16Ga. or 18 Ga. sink top and bowl
- 8" O.C. splash mount faucet hole
- 3-1/2" strainer hole, drain basket included
- Stainless steel legs with side cross bracing
- NSF listed



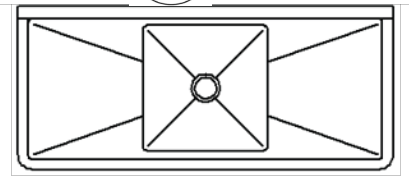
N
No Drain Board



L
Left Drain Board



R
Right Drain Board



D
Left & Right Drain Board



1-Compartment Sink without Drain Board					
Item #	D x W x H	BD x BW x BH	Gauge	Weight	
SE-15151N	18-5/8" x 18-1/4" x 43-7/8"	15" x 15" x 13"	18	27 lbs	
SE-18181N	21-5/8" x 21-1/4" x 43-7/8"	18" x 18" x 13"	18	31 lbs	
SEH-20201N	26" x 23-1/4" x 45"	20" x 20" x 14"	16	41 lbs	
SEH-24241N	27-5/8" x 27-1/4" x 43-7/8"	24" x 24" x 13"	16	48 lbs	



1-Compartment Sink with Left Drain Board					
Item #	D x W x H	BD x BW x BH	A	Gauge	Weight
SE-15151L	21" x 33" x 45"	15" x 15" x 12"	15"	18	33 lbs
SE-18181L	24" x 39" x 45"	18" x 18" x 12"	18"	18	42 lbs
SEH-20201L	26" x 43" x 45"	20" x 20" x 14"	20"	16	56 lbs
SEH-24241L	30" x 51" x 45"	24" x 24" x 14"	24"	16	71 lbs



1-Compartment Sink with Right Drain Board					
Item #	D x W x H	BD x BW x BH	A	Gauge	Weight
SE-15151R	21" x 33" x 45"	15" x 15" x 12"	15"	18	33 lbs
SE-18181R	24" x 39" x 45"	18" x 18" x 12"	18"	18	42 lbs
SEH-20201R	26" x 43" x 45"	20" x 20" x 14"	20"	16	56 lbs
SEH-24241R	30" x 51" x 45"	24" x 24" x 14"	24"	16	71 lbs



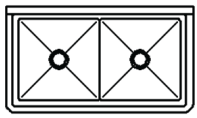
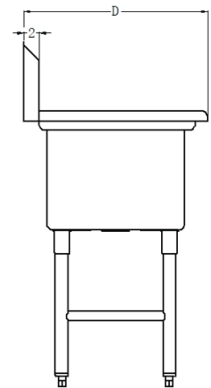
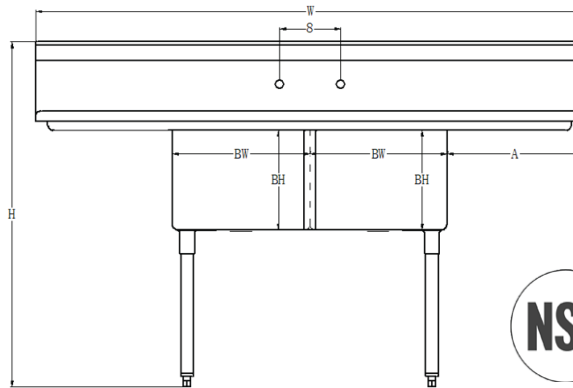
1-Compartment Sink with Left & Right Drain Board					
Item #	D x W x H	BD x BW x BH	A	Gauge	Weight
SE-18181D	24" x 54" x 45"	18" x 18" x 12"	18"	18	52 lbs
SEH-24241D	30" x 72" x 45"	24" x 24" x 14"	24"	16	86 lbs

Compartment Sinks

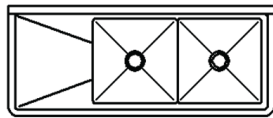
2-Compartment

Description

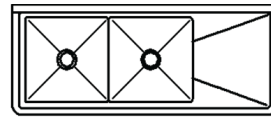
- 11-1/2" height backsplash
- 304 S/S 16Ga. or 18 Ga. sink top and bowl
- 8" OC splash mount faucet hole
- 3-1/2" strainer hole, drain basket included
- Stainless steel legs with side cross bracing
- NSF listed



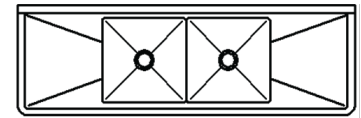
N
No Drain Board



L
Left Drain Board



R
Right Drain Board



D
Left & Right Drain Board



2-Compartment Sink without Drain Board

Item #	D x W x H	BD x BW x BH	Gauge	Weight
SE-18182N	24" x 42" x 45"	18" x 18" x 12"	18	55 lbs
SEH-24242N	30" x 54" x 45"	24" x 24" x 12"	16	96 lbs



2-Compartment Sink with Left Drain Board

Item #	D x W x H	BD x BW x BH	A	Gauge	Weight
SE-18182L	24" x 57" x 45"	18" x 18" x 12"	18"	18	62 lbs
SEH-24242L	30" x 75" x 45"	24" x 24" x 14"	24"	16	110 lbs



2-Compartment Sink with Right Drain Board

Item #	D x W x H	BD x BW x BH	A	Gauge	Weight
SE-18182R	24" x 57" x 45"	18" x 18" x 12"	18"	18	62 lbs
SEH-24242R	30" x 75" x 45"	24" x 24" x 14"	24"	16	110 lbs



2-Compartment Sink with Left & Right Drain Board

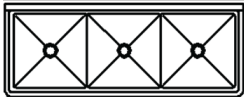
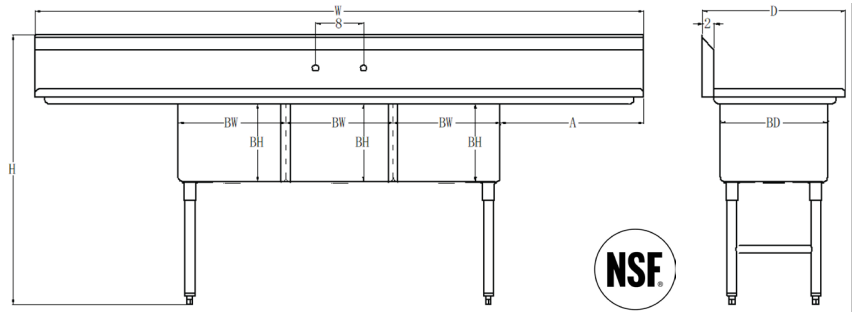
Item #	D x W x H	BD x BW x BH	A	Gauge	Weight
SE-18182D	24" x 72" x 45"	18" x 18" x 12"	18"	18	69 lbs
SEH-24242D	30" x 96" x 45"	24" x 24" x 14"	24"	16	125 lbs

Compartment Sinks

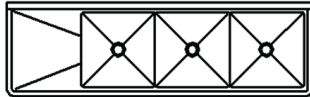
3-Compartment

Description

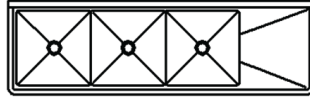
- 11-1/2" height backsplash
- 304 S/S 16Ga. or 18 Ga. sink top and bowl
- 8" OC splash mount faucet hole
- 3-1/2" strainer hole, drain basket included
- Stainless steel legs with side cross bracing
- NSF listed



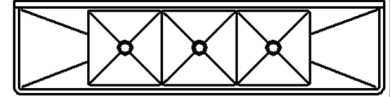
N
No Drain Board



L
Left Drain Board



R
Right Drain Board



D
Left & Right Drain Board



3-Compartment Sink without Drain Board					
Item #	D x W x H	BD x BW x BH	Gauge	Weight	
SE-18183N	24" x 60" x 45"	18" x 18" x 12"	18	74 lbs	
SEH-24243N	30" x 78" x 45"	24" x 24" x 12"	18	134 lbs	



3-Compartment Sink with Left Drain Board						
Item #	D x W x H	BD x BW x BH	A	Gauge	Weight	
SE-18183L	24" x 75" x 45"	18" x 18" x 12"	18"	18	82 lbs	
SEH-24243L	30" x 99" x 45"	24" x 24" x 14"	24"	16	149 lbs	



3-Compartment Sink with Right Drain Board						
Item #	D x W x H	BD x BW x BH	A	Gauge	Weight	
SE-18183R	24" x 75" x 45"	18" x 18" x 12"	18"	18	82 lbs	
SEH-24243R	30" x 99" x 45"	24" x 24" x 14"	24"	16	149 lbs	



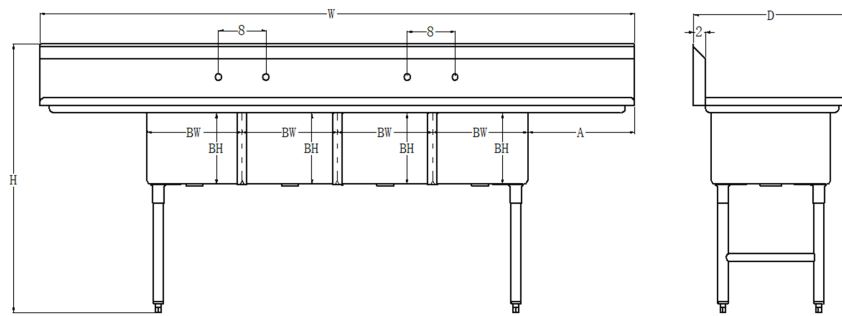
3-Compartment Sink with Left & Right Drain Board						
Item #	D x W x H	BD x BW x BH	A	Gauge	Weight	
SE-15153D	21" x 75" x 45"	15" x 15" x 12"	15"	18	74 lbs	
SE-18183D	24" x 90" x 45"	18" x 18" x 12"	18"	18	90 lbs	
SE-18183D24*	24" x 102" x 45"	18" x 18" x 12"	24"	18	96 lbs	
SE-16203D18*	26" x 84" x 45"	20" x 16" x 12"	18"	18	90 lbs	
SE-16203D24*	26" x 96" x 45"	20" x 16" x 12"	24"	18	96 lbs	
SEH-20203D	26" x 100" x 45"	20" x 20" x 14"	18"	16	132 lbs	
SEH-24243D	30" x 120" x 45"	24" x 24" x 14"	24"	16	164 lbs	

Compartment Sinks

4-Compartment Sink

Description

- 11-1/2" height backsplash
- 304 S/S 16Ga. or 18 Ga. sink top and bowl
- 8" OC splash mount faucet hole
- 3-1/2" strainer hole, drain basket included
- Stainless steel legs with side cross bracing
- NSF listed



4-Compartment Sink with Left & Right Drain Board

Item #	D x W x H	BD x BW x BH	A	Gauge	Weight
SE-16204D18*	26" x 100" x 45"	20" x 16" x 12"	18"	18	109 lbs

Prep Table with Sink



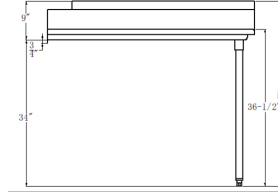
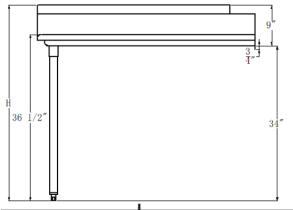
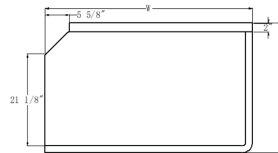
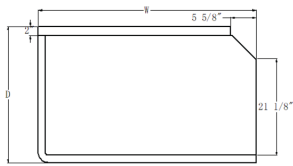
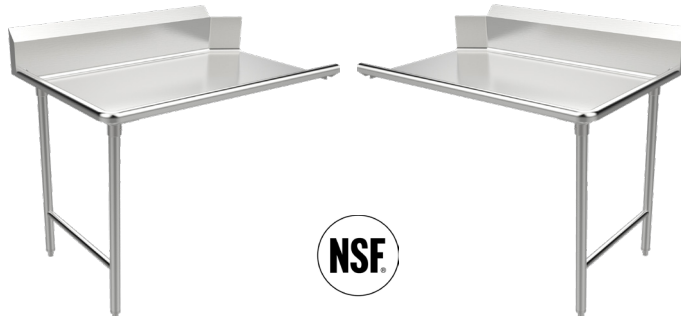
- 304 S/S 18 Ga. table top and sink bowl
- 6" backsplash
- 4" OC deck mount faucet hole
- 3-1/2" strainer hole, strainer included
- Stainless steel under shelf
- Adjustable S/S bullet feet
- NSF listed

Prep Table with Sink

Item #	D x W x H	Sink Bowl	Weight
WTPS-3048L*	30" x 48" x 35"	Left	81 lbs
WTPS-3048R*	30" x 48" x 35"	Right	81 lbs
WTPS-3060L*	30" x 60" x 35"	Left	94 lbs
WTPS-3060R*	30" x 60" x 35"	Right	94 lbs
WTPS-3072L*	30" x 72" x 35"	Left	106 lbs
WTPS-3072R*	30" x 72" x 35"	Right	106 lbs

Dish Tables

Clean Dish Tables



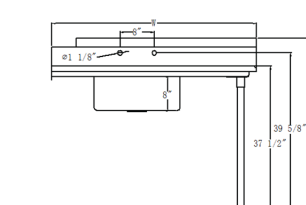
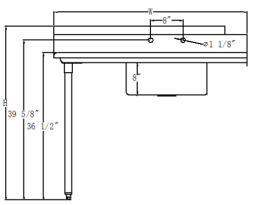
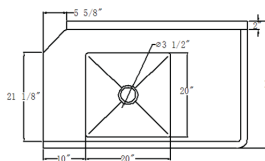
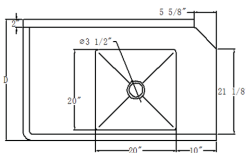
L
Left Side Model

R
Right Side Model

- 9" height backsplash
- 304 S/S 16 Ga. table top
- Stainless steel legs with side cross bracing
- NSF listed

Item #	D x W x H	Weight
CDT-24L	30" x 24" x 43"	30 lbs
CDT-24R	30" x 24" x 43"	30 lbs
CDT-30L	30" x 30" x 43"	34 lbs
CDT-30R	30" x 30" x 43"	34 lbs
CDT-36L	30" x 36" x 43"	38 lbs
CDT-36R	30" x 36" x 43"	38 lbs
CDT-48L	30" x 48" x 43"	50 lbs
CDT-48R	30" x 48" x 43"	50 lbs
CDT-60L	30" x 60" x 43"	60 lbs
CDT-60R	30" x 60" x 43"	60 lbs
CDT-72L	30" x 72" x 43"	68 lbs
CDT-72R	30" x 72" x 43"	68 lbs

Soiled Dish Tables



L
Left Side Model

R
Right Side Model

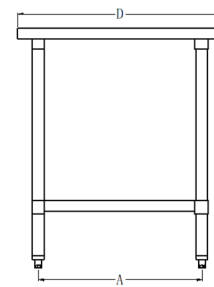
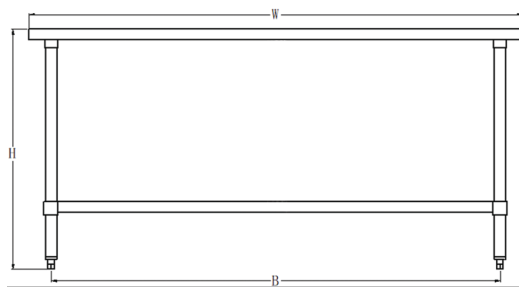
- 9" height backsplash
- 304 S/S 16 Ga. table top and sink bowl
- 20"L x 20"W x 8"H bowl size
- 8"OC splash mount faucet hole
- 3-1/2" strainer hole, strainer included
- Stainless steel legs with side cross bracing
- NSF listed

Item #	D x W x H	Weight
SDT-30L	30" x 30" x 43"	48 lbs
SDT-30R	30" x 30" x 43"	48 lbs
SDT-36L	30" x 36" x 43"	53 lbs
SDT-36R	30" x 36" x 43"	53 lbs
SDT-48L	30" x 48" x 43"	57 lbs
SDT-48R	30" x 48" x 43"	57 lbs
SDT-60L	30" x 60" x 43"	69 lbs
SDT-60R	30" x 60" x 43"	69 lbs
SDT-72L	30" x 72" x 43"	79 lbs
SDT-72R	30" x 72" x 43"	79 lbs

Work Tables

Economy Work Tables - 18 Ga.

- 430 S/S 18 Ga. table top
- 18 Ga. galvanized undershelf
- Table top reinforced with hat channel
- Galvanized legs with adjustable plastic bullet feet
- All work table uses 4 legs
- Shipped knocked-down in a box
- NSF listed



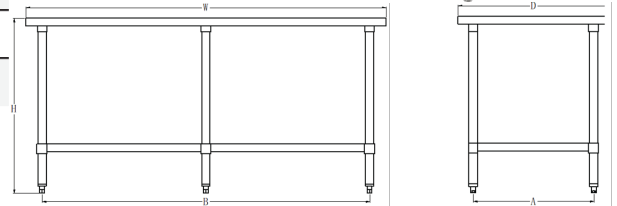
18 Ga. Economy Work Table 430 S/S top with Galvanized Undershelf

Item #	D x W x H	A	B	Weight	
WTE-2430*	24" x 30" x 35"	18"	23-3/8"	39 lbs	
WTE-2436*	24" x 36" x 35"	18"	29-3/8"	45 lbs	
WTE-2448*	24" x 48" x 35"	18"	41-3/8"	53 lbs	
WTE-2460*	24" x 60" x 35"	18"	53-3/8"	63 lbs	
WTE-2472*	24" x 72" x 35"	18"	65-3/8"	79 lbs	
WTE-3015*	30" x 15" x 35"	24"	10-1/8"	28 lbs	
WTE-3018*	30" x 18" x 35"	24"	13-1/8"	34 lbs	
WTE-3030*	30" x 30" x 35"	24"	23-3/8"	46 lbs	
WTE-3036*	30" x 36" x 35"	24"	29-3/8"	54 lbs	
WTE-3048*	30" x 48" x 35"	24"	41-3/8"	65 lbs	
WTE-3060*	30" x 60" x 35"	24"	53-3/8"	79 lbs	
WTE-3072*	30" x 72" x 35"	24"	65-3/8"	98 lbs	

Work Tables - Heavy Duty

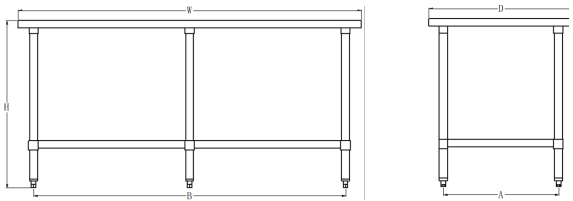
Item #	D x W x H	A	Weight
WTH-2430	24" x 30" x 35"	18"	42 lbs
WTH-2436	24" x 36" x 35"	18"	48 lbs
WTH-2448	24" x 48" x 35"	18"	58 lbs
WTH-2460	24" x 60" x 35"	18"	69 lbs
WTH-2472	24" x 72" x 35"	18"	86 lbs
WTH-3030	30" x 30" x 35"	24"	50 lbs
WTH-3036	30" x 36" x 35"	24"	57 lbs
WTH-3048	30" x 48" x 35"	24"	70 lbs
WTH-3060	30" x 60" x 35"	24"	83 lbs
WTH-3072	30" x 72" x 35"	24"	105 lbs
WTH-3096	30" x 96" x 35"	24"	141 lbs

- 304 S/S 16 Ga. table top
- 430 S/S 18 Ga. undershelf
- Table top reinforced with hat channel
- S/S legs with adjustable S/S bullet feet
- Work table 72" & over in length uses 6 legs
- Shipped knocked-down in a box
- NSF listed



Work Tables - 18 Ga.

- 430 S/S 18 Ga. table top & undershelf
- Table top reinforced with hat channel
- S/S legs with adjustable S/S bullet feet
- Work table 72" & over in length uses 6 legs
- Shipped knocked-down in a box
- NSF listed



Item #	D x W x H	A	Weight
WT-2412	24" x 12" x 35"	18"	22 lbs
WT-2415	24" x 15" x 35"	18"	25 lbs
WT-2418	24" x 18" x 35"	18"	29 lbs
WT-2424	24" x 24" x 35"	18"	34 lbs
WT-2430	24" x 30" x 35"	18"	39 lbs
WT-2436	24" x 36" x 35"	18"	45 lbs
WT-2448	24" x 48" x 35"	18"	53 lbs
WT-2460	24" x 60" x 35"	18"	63 lbs
WT-2472	24" x 72" x 35"	18"	79 lbs
WT-3012	30" x 12" x 35"	24"	24 lbs
WT-3015	30" x 15" x 35"	24"	28 lbs
WT-3018	30" x 18" x 35"	24"	34 lbs
WT-3030	30" x 30" x 35"	24"	46 lbs
WT-3036	30" x 36" x 35"	24"	54 lbs
WT-3048	30" x 48" x 35"	24"	65 lbs
WT-3060	30" x 60" x 35"	24"	79 lbs
WT-3072	30" x 72" x 35"	24"	98 lbs

Work Table & Equipment Stand Stem Caster Sets

Item #	Description
CS4153	3" Dia., 220 lbs capacity per caster
CS6155	5" Dia., 220 lbs capacity per caster

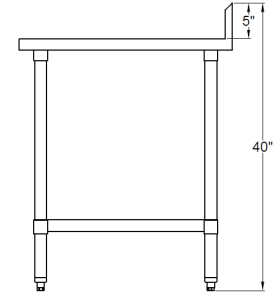
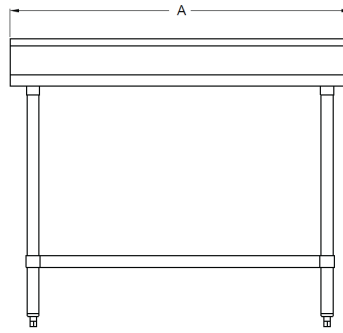


CS4153

- 1-1/2" Stem Caster Sets
- Swivel with locks
- 220 lbs capacity per caster

Work Tables with Backsplash

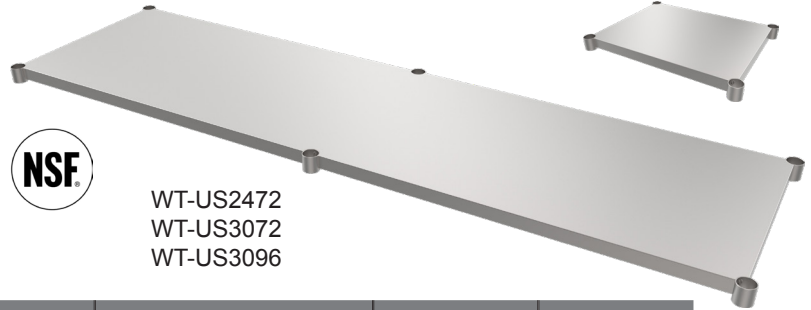
- 304 S/S 16 Ga. table top
- 430 S/S 18 Ga. undershelf
- 5" backspalsh
- Table top reinforced with hat channel
- S/S legs with adjustable S/S bullet feet
- Work table 72" & over in length uses 6 legs
- Shipped knocked-down in a box
- NSF listed



Work Table with 5" Backsplash				
Item #	D x W x H	A	Weight	
WTHB-3024	30" x 24" x 43"	24"	47 lbs	
WTHB-3036	30" x 36" x 43"	36"	58 lbs	
WTHB-3048	30" x 48" x 43"	48"	73 lbs	
WTHB-3060	30" x 60" x 43"	60"	89 lbs	
WTHB-3072	30" x 72" x 43"	72"	109 lbs	
WTHB-3096	30" x 96" x 43"	96"	145 lbs	

S/S Work Table Undershef

- 430 S/S 18 Ga. undershef
- Fits MET WTHB, WTH, WT series work table
- NSF listed



WT-US2472
WT-US3072
WT-US3096

Item #	D x W x H	Fit Table Size	Weight	
WT-US2430	19-4/5" x 25-1/3" x 2"	24" x 30"	10 lbs	
WT-US2436	19-4/5" x 31-1/3" x 2"	24" x 36"	12 lbs	
WT-US2448	19-4/5" x 43-1/3" x 2"	24" x 48"	16 lbs	
WT-US2460	19-4/5" x 55-1/3" x 2"	24" x 60"	20 lbs	
WT-US2472	19-4/5" x 67-1/3" x 2"	24" x 72"	25 lbs	
WT-US3030	25-4/5" x 25-1/3" x 2"	30" x 30"	13 lbs	
WT-US3036	25-4/5" x 31-1/3" x 2"	30" x 36"	15 lbs	
WT-US3048	25-4/5" x 43-1/3" x 2"	30" x 48"	20 lbs	
WT-US3060	25-4/5" x 55-1/3" x 2"	30" x 60"	25 lbs	
WT-US3072	25-4/5" x 67-1/3" x 2"	30" x 72"	30 lbs	
WT-US3096	25-4/5" x 91-1/3" x 2"	30" x 96"	46 lbs	

Casters Sets



CS4003



CS4153



CS4453T



CS6005



CS6115



CS6235



CS6335



CS6345HD



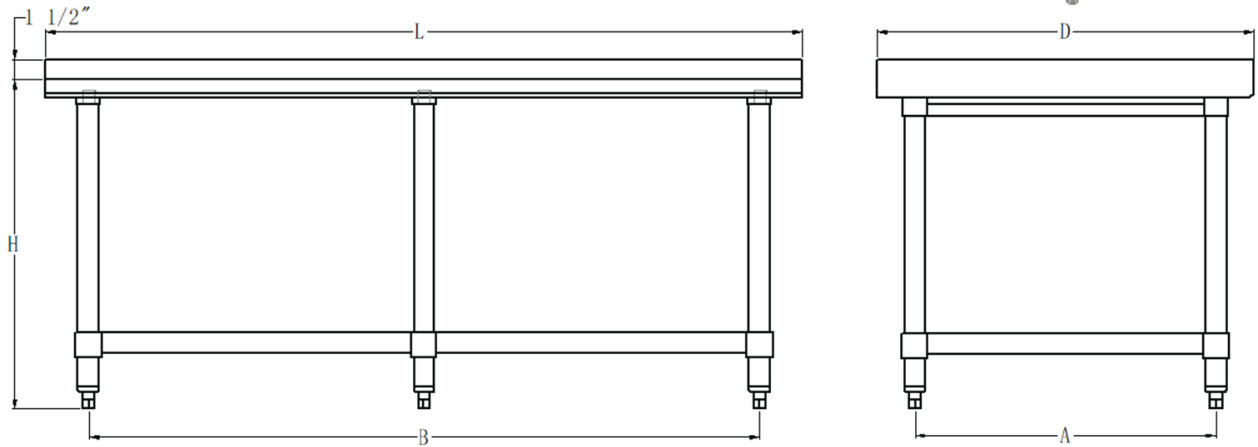
CS6557HD

- All Casters sold by set (4 each per set)
- 220 lbs capacity per caster, 500 lbs capacity per caster for heavy duty models
- Grease resistance, swivel with breaks

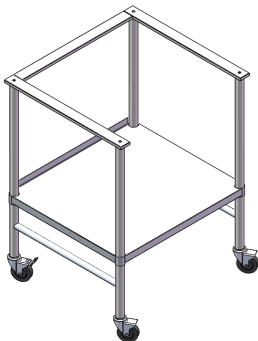
Item #	Description	Dia.	
CS4003	1/2"-13 x 1 Threaded Stem	4"	
CS4153	1-1/2" Stem	3"	
CS4453T	4" x 5" Plate	3"	
CS6005	1/2"-13 x 1 Threaded Stem	5"	
CS6115	Shelving Caster	5"	
CS6155	1-1/2" Stem	5"	
CS6235	2-3/8" x 3-5/8" Plate	5"	
CS6335	3-1/2" x 3-1/2" Plate	5"	
CS6345HD	3" x 4" Heavy Duty Plate	5"	
CS6557HD	5-3/8" x 5-3/8" x 7-1/2" Heavy Duty Triangle Plate	5"	

Equipment Stands

- 304 S/S 16 Ga. table top
- Table top is built 3-sided 1.5" turn up
- Table top is reinforced with hat channel
- S/S legs with adjustable S/S bullet feet
- Equipment stand with 60" & over in length uses 6 legs
- Shipped knocked-down in a box
- NSF listed



16 Ga. 304 S/S Equipment Stand					
Item #	D x W x H	A	B	Weight	
ES-3012	30" x 12" x 26"	24"	7"	27 lbs	
ES-3018	30" x 18" x 26"	24"	13-1/3"	35 lbs	
ES-3024	30" x 24" x 26"	24"	17-1/2"	40 lbs	
ES-3030	30" x 30" x 26"	24"	22-1/2"	44 lbs	
ES-3036	30" x 36" x 26"	24"	29-1/2"	52 lbs	
ES-3048	30" x 48" x 26"	24"	41-1/2"	68 lbs	
ES-3060	30" x 60" x 26"	24"	53-1/2"	88 lbs	
ES-3072	30" x 72" x 26"	24"	65-1/2"	101 lbs	

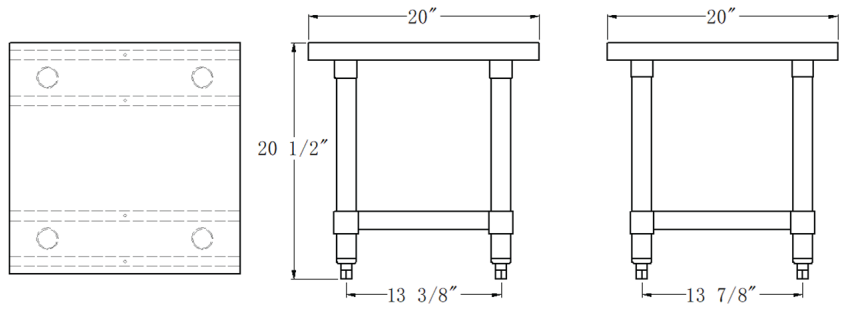


- For LIT brands AECW chip warmer



Portable Chip Warmer Stand		
Item #	Weight	
ES-27VCW	43 lbs	

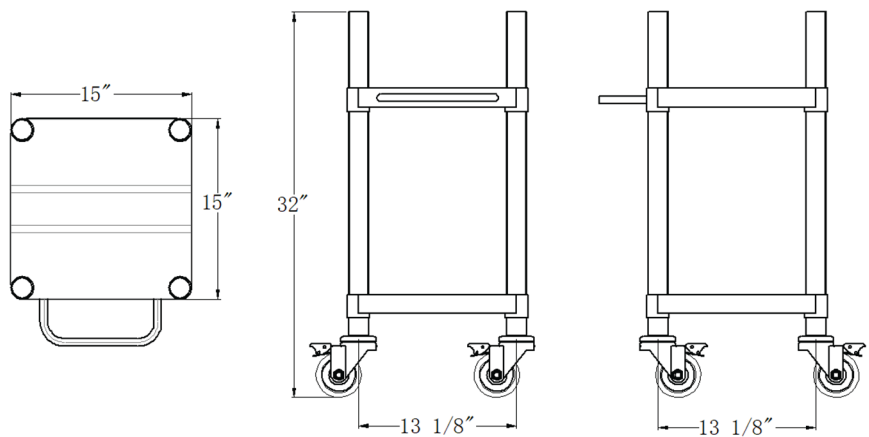
Rice Cooker Stand



- 430 S/S 18 Ga. table top & undershelf
- Table top reinforced with hat channel
- S/S leg with adjustable S/S bullet feet
- Shipped knocked-down in a box
- NSF listed

Rice Cooker Stand 18 Ga. 430 S/S			
Item #	D x W x H	Weight	
ES-20	20" x 20" x 20-1/2"	24 lbs	

Rice Warmer Cart



- 430 S/S 18 Ga. table top & undershelf
- S/S leg with 4" caster with break
- Shipped knocked-down in a box
- NSF listed

Rice Warmer Cart 18 Ga. 430 S/S			
Item #	D x W x H	Weight	
ES-15	15" x 15" x 32"	29 lbs	

S/S Wall Shelves

- 430 S/S 18 Ga.
- S/S mounting brackets included
- Shipped knocked-down in a box
- Units with pot rack comes with double pot hooks
- NSF listed



S/S Wall Shelves

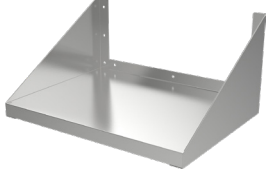
Item #	D x W x H	Brackets	Weight
WS-1424	14" x 24" x 9-1/2"	2	9 lbs
WS-1430	14" x 30" x 9-1/2"	2	11 lbs
WS-1436	14" x 36" x 9-1/2"	2	12 lbs
WS-1448	14" x 48" x 9-1/2"	3	16 lbs
WS-1460	14" x 60" x 9-1/2"	3	20 lbs
WS-1472	14" x 72" x 9-1/2"	3	23 lbs
WS-1824	18" x 24" x 9-1/2"	2	12 lbs
WS-1830	18" x 30" x 9-1/2"	2	14 lbs
WS-1836	18" x 36" x 9-1/2"	2	16 lbs
WS-1848	18" x 48" x 9-1/2"	3	20 lbs
WS-1860	18" x 60" x 9-1/2"	3	24 lbs
WS-1872	18" x 72" x 9-1/2"	3	28 lbs

S/S Wall Shelves with Pot Rack

Item #	D x W	Brackets	Hooks
WSP-1524	15" x 24"	2	4
WSP-1530	15" x 30"	2	5
WSP-1536	15" x 36"	2	6
WSP-1548	15" x 48"	3	8
WSP-1560	15" x 60"	3	10
WSP-1572	15" x 72"	3	12
WSP-1584	15" x 84"	4	14
WSP-1596	15" x 96"	4	16

Microwave Oven Shelf

- 430 S/S 18 Ga. shelf
- S/S mounting brackets included
- Shipped knocked-down in a box
- NSF listed



Item #	D x W x H	Brackets	Weight
MS-2418	18" x 24" x 14"	2	14 lbs

Slanted Wall Shelf

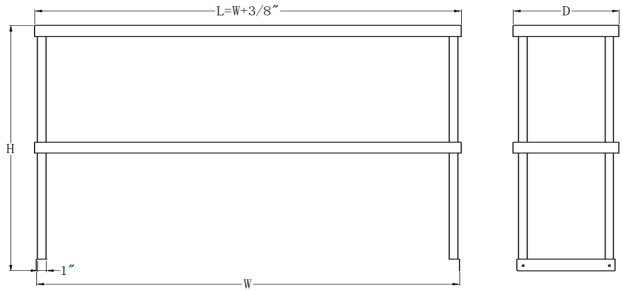
- 430 S/S 18 Ga. shelf
- S/S mounting brackets included
- Drain on the left
- Shipped knocked-down in a box
- NSF listed



Item #	D x W x H	# of Brackets	Weight
SW-2122*	22" x 21" x 15-1/2"	2	15 lbs
SW-4222*	22" x 42" x 15-1/2"	2	25 lbs
SW-6322*	22" x 63" - 15-1/2"	2	35 lbs

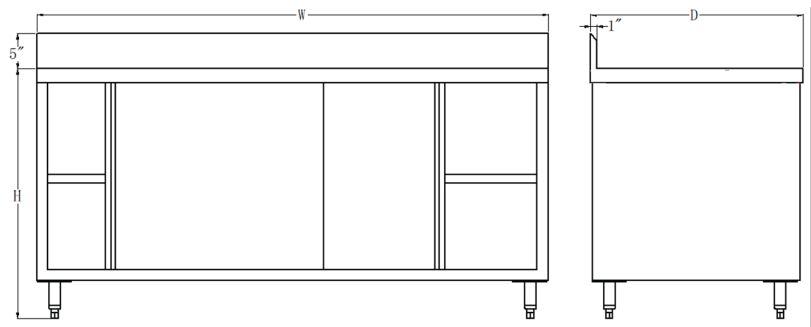
S/S Double Overshelf

- 430 S/S 18 Ga. table top & undershelf
- S/S post, adjustable lower shelf
- L-shaped table mounting bracket
- Shipped knocked-down in a box
- NSF listed



Item #	D x W x H	Weight	
DOS-1436	14" x 36" x 32"	30 lbs	
DOS-1446V	14" x 45-1/5" x 32"	34 lbs	
DOS-1448	14" x 48" x 32"	36 lbs	
DOS-1460	14" x 60" x 32"	41 lbs	
DOS-1472	14" x 72" x 32"	47 lbs	
DOS-1474	14" x 74" x 32"	50 lbs	
DOS-1476V	14" x 76" x 32"	55 lbs	
DOS-1836	18" x 36" x 32"	35 lbs	
DOS-1848	18" x 48" x 32"	42 lbs	
DOS-1860	18" x 60" x 32"	49 lbs	
DOS-1872	18" x 72" x 32"	56 lbs	
DOS-1896	18" x 96" x 32"	65 lbs	

S/S Cabinet

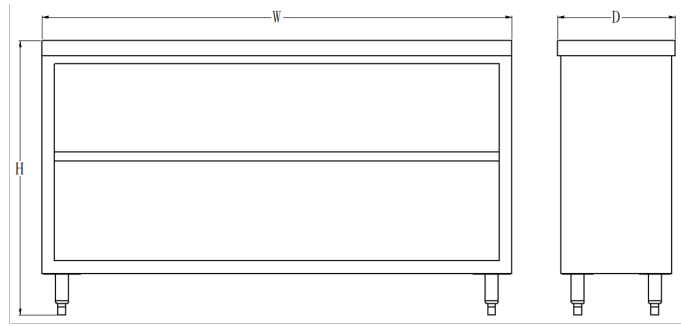


- 304 S/S 16 Ga. Top
- 430 S/S 18 Ga. body panels & shelf
- 5" backsplash
- Intermediate shelf & sliding doors
- Heavy duty adjustable S/S bullet feet
- Shipped knocked-down in a box
- NSF listed

Item #	D x W x H	Weight	
CTD-3036*	30" x 36" x 35"	165 lbs	
CTD-3048*	30" x 48" x 35"	204 lbs	
CTD-3060*	30" x 60" x 35"	241 lbs	
CTD-3072*	30" x 72" x 35"	279 lbs	

S/S Dish Cabinet

- 430 S/S 18 Ga. top
- 430 S/S 22 Ga. body panels & shelf
- Intermediate shelf
- Heavy duty adjustable S/S bullet feet
- Shipped knocked-down in a box
- NSF listed



Item #	D x W x H	Weight	
CDN-1536	15" x 36" x 35"	57 lbs	
CDN-1548	15" x 48" x 35"	71 lbs	
CDN-1560	15" x 60" x 35"	83 lbs	
CDN-1572	15" x 72" x 35"	92 lbs	

Tubular Dish Drainage Shelf



- Wall mount drainage shelf
- Stainless steel construction
- Mounting bolts included
- NSF listed

Item #	D x W	Weight	O.D. Tubing size	
TDDS-2415*	15" x 24"	12 lbs	1-5/8"	
TDDS-3615*	15" x 36"	16 lbs		
TDDS-4815*	15" x 48"	22 lbs		
TDDS-6015*	15" x 60"	30 lbs		
TDDS-7215*	15" x 72"	40 lbs		

Beverage Table with Urn Troughs

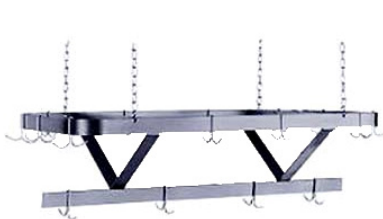


- Built-in urn trough with drain
- 16 gauge stainless steel top
- 18 gauge stainless steel body
- 5" riser backsplash with standard electric outlet
- Stainless steel legs
- NSF listed

Item #	D x W	Weight	# of adjustable shelf	
BEV-3036*	30" x 36"	171 lbs	1	
BEV-3048*	30" x 48"	211 lbs	1	
BEV-3060*	30" x 60"	251 lbs	1	
BEV-3072*	30" x 72"	291 lbs	1	

Pot Racks

Ceiling Mount Pot Racks



- Ceiling hung pot racks
- Triple bar design
- Stainless steel construction
- 24" plated hanging chains included
- NSF Listed

Item #	D x W	Hooks	
PRC-36	22" x 36"	12	
PRC-48	22" x 48"	14	
PRC-60	22" x 60"	18	
PRC-72	22" x 72"	22	

Wall Mount Pot Racks

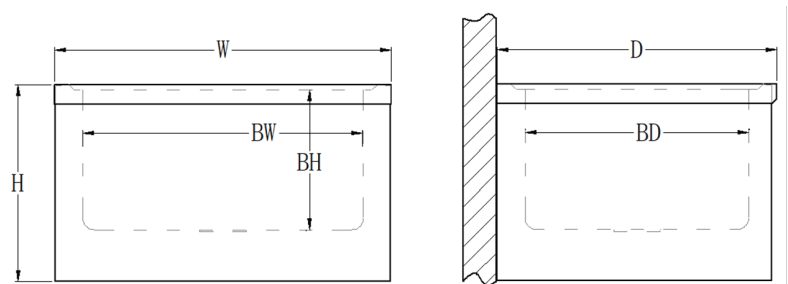
- Wall mount pot racks
- Double bar design
- Stainless steel construction
- NSF Listed



Item #	D x W	Hooks	
PRW-24	12" x 24"	8	
PRW-30	12" x 30"	10	
PRW-36	12" x 36"	12	
PRW-48	12" x 48"	14	
PRW-60	12" x 60"	18	
PRW-72	12" x 72"	22	

Mop Sinks

- 304 S/S 18 Ga. sink top & bowl
- 304 S/S 18 Ga. body panels
- NSF listed



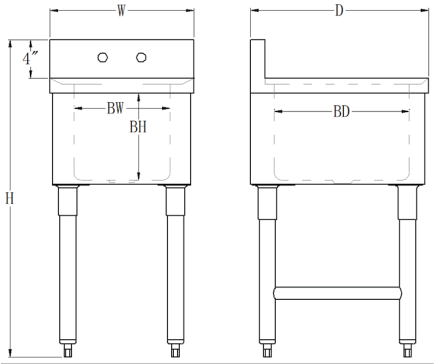
Item #	D x W x H	BD x BW x BH	Weight	
SEM-201610	20" x 24" x 14"	16" x 20" x 10"	30 lbs	
SEM-202010	24" x 24" x 14"	20" x 20" x 10"	35 lbs	

Underbar

Dump Sink & Underbar Hand Sink

- 304 S/S 20 Ga. sink top & bowl
- 430 S/S front & side panels
- 4" backsplash
- S/S legs with side cross bracing
- One compartment, no drain boards
- 4" wall mounted faucet & 1-1/2" drainer included
- NSF listed

- 304 S/S 20 Ga. construction
- 3" backsplash
- Soap and towel dispenser included
- 4" wall mounted faucet & 1-1/2" drainer included
- NSF listed



UBS-118



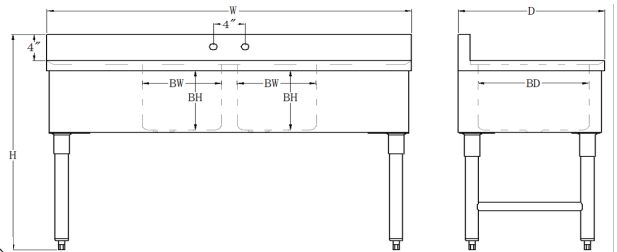
UBHS-12ST

Item #	D x W x H	Weight
UBS-118	18-1/2" x 15" x 33"	39 lbs

Item #	D x W x H	Weight
UBHS-12ST	22-1/2" x 12" x 33"	31 lbs
UBHS-18ST	22-1/2" x 18" x 33"	36 lbs

Bar Sink

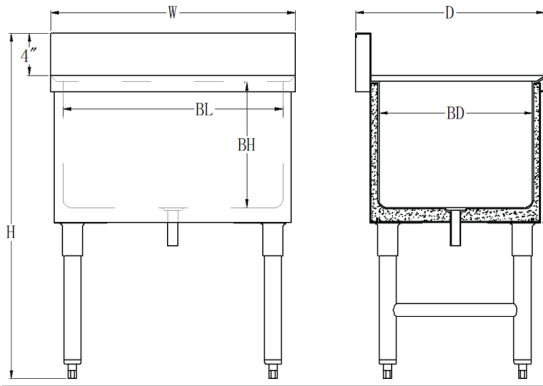
- 304 S/S 20 Ga. sink top & bowl
- 430 S/S front & side panels
- 4" backsplash
- 12" left & right drain boards (with drain board models)
- S/S legs with side cross bracing
- 4" wall mounted faucet & 1-1/2" drainer included
- NSF listed



Item #	D x W x H	# of Sink Bowl	# of Drain Board	BD x BW x BH	Weight
UBS-227	18-1/2" x 24" x 33"	2	0	14" x 10" x 10"	43 lbs
UBS-246	18-1/2" x 46" x 33"	2	2	14" x 10" x 10"	51 lbs
UBS-339	18-1/2" x 39" x 33"	3	0	14" x 10" x 10"	55 lbs
UBS-358	18-1/2" x 58" x 33"	3	2	14" x 10" x 10"	62 lbs
UBS-470	18-1/2" x 70" x 33"	4	2	14" x 10" x 10"	78 lbs

Ice Bin

- 304 S/S 18 Ga. sink top & bowl
- 430 S/S front & side panels
- 4" back splash
- Poly foam insulation
- S/S legs with side cross bracing
- NSF listed



Item #	D x W x H	BD x BW x BH	Weight
UBIB-1824	18-1/2" x 24" x 33"	15" x 21" x 12"	48 lbs
UBIB-1830	18-1/2" x 30" x 33"	15" x 27" x 12"	55 lbs
UBIB-1836	18-1/2" x 36" x 33"	15" x 33" x 12"	65 lbs
UBIB-1848	18-1/2" x 48" x 33"	15" x 45" x 12"	79 lbs

Ice Bin with Cold Plate

- 304 S/S construction
- S/S legs and sockets
- H shape weld leg bracing
- Approximately 96-98 lbs ice capacity
- 3" height back splash
- NSF listed

Item #	D x W x H	Bowl Depth	Cold Plate
UBIB-247-CP	18-1/2" x 24" x 30"	12"	7-circuit cold plate
UBIB-307-CP	18-1/2" x 30" x 30"	12"	
UBIB-367-CP	18-1/2" x 36" x 30"	12"	
UBIB-2410-CP	18-1/2" x 24" x 30"	12"	10-circuit cold plate
UBIB-3010-CP	18-1/2" x 30" x 30"	12"	
UBIB-3610-CP	18-1/2" x 36" x 30"	12"	



Ice Bin Covers



- Ice bin sliding cover
- 18/304 stainless steel construction
- NSF listed

Item #	Width	For Model	Item #	Width	For Model
IBSC-30	30"	UBIB-1830	IBSC-24-CP	24"	UBIB-1824 UBIB-247-CP UBIB-2410-CP
IBSC-36	36"	UBIB-1836	IBSC-30-CP	30"	UBIB-307-CP UBIB-3010-CP
IBSC-48	48"	UBIB-1848	IBSC-36-CP	36"	UBIB-367-CP UBIB-3610-CP

Underbar Liquor Display

- 304 S/S 16 Ga. side panels
- 304 S/S 18 Ga. bottom & back panels
- 4" or 6" backsplash
- S/S legs with side cross bracing
- NSF listed



LQDR-3625
6" Backsplash

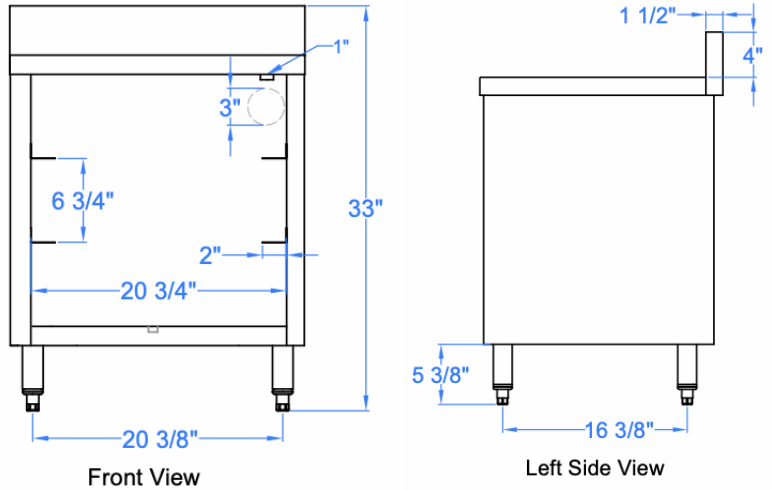


LQD-18

Item #	D x W x H	Weight
LQD-12	21-1/8" x 12" x 33"	30 lbs
LQD-18	21-1/8" x 18" x 33"	35 lbs
LQD-24	21-1/8" x 24" x 33"	41 lbs
LQD-30	21-1/8" x 30" x 33"	48 lbs
LQD-36	21-1/8" x 36" x 33"	52 lbs
LQDR-3625*	25" x 36" x 30"	53.1 lbs

Glass Rack Station

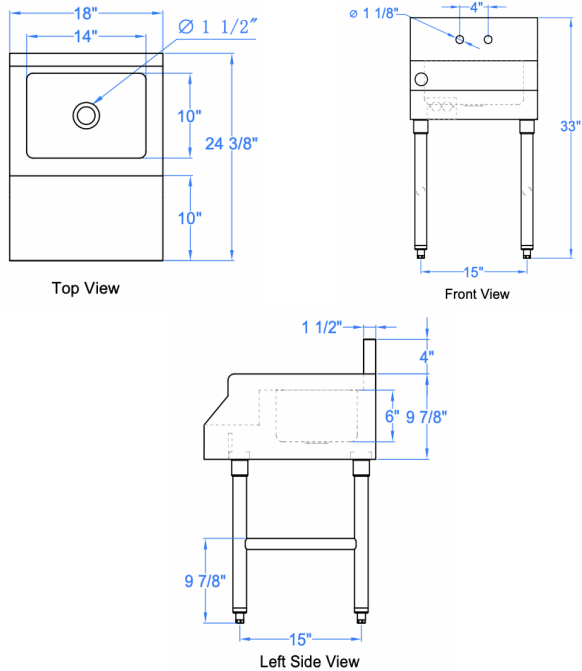
- 304 S/S 20 Ga. sink top drain board
- 430 S/S body & side panels
- 4" backsplash
- Heavy duty adjustable S/S bullet feet
- NSF listed



Item #	D x W x H	Weight	
UBGR-242	21-1/8" x 12" x 33"	50.9 lbs	
UBGR-243	21-1/8" x 18" x 33"	50.6 lbs	

Blender Station

- 304 S/S 20 Ga. sink top drain board
- 304 S/S body & side panels
- 4" backsplash
- Heavy duty adjustable S/S bullet feet
- 4" wall mounted faucet & 1-1/2" drainer included
- NSF listed



Item #	D x W x H	BD x BW x BH	Weight	
UBBS-1824	24-3/8" x 18" x 33"	10" x 12" x 6"	28 lbs	

Keg Racks

- 3 tier keg racks
- Rear straps can be purchased separately
- 1-5/16" dia. aluminum post



KRA-60

Item #	D x W x H	# of 1/2 Kegs	
KRA42	20" x 42" x 76"	4	
KRA60	20" x 60" x 76"	6	
KRA72	20" x 72" x 76"	8 (tight)	
KRA80	20" x 80" x 76"	8 (loose)	
KRA93	20" x 93" x 76"	10	

Aluminum Rear Straps for Keg Racks

Item #	Description	
KRA142	For 42" Keg Rack	
KRA160	For 60" Keg Rack	
KRA172	For 72" Keg Rack	
KRA180	For 80" Keg Rack	
KRA193	For 93" Keg Rack	

Utility Carts



UBC-WS1836

- Wire utility cart
- 250 lbs capacity
- 3 shelves
- 4 swivel rubber casters with 2 brakes

Item #	D x W x H	
UBC-WS1836	18" x 36" x 38"	
UBC-WS2142	21" x 42" x 33"	



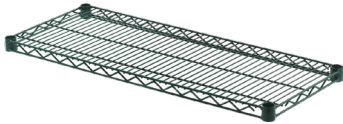
UBC-1624SH

- 3 shelves utility cart
- 16 gauge angle legs
- 18 gauge 304 S/S construction
- All welded
- 350 lbs capacity

Item #	D x W x H	
UBC-1624SH	15-1/2" x 27" x 33-1/2"	
UBC-1827SH	18" x 27" x 34"	
UBC-2135SH	21" x 35" x 34"	

Green Shelf

- 850 lbs capacity for shelves shorter than 60"
- 600 lbs capacity for 60" & above shelves
- 74" height posts for shelving unit
- 2 shelves per box, 4 post per carton
- **Ten (10) years corrosion and rust warranty on MET Green Epoxy Shelves**
- **Must purchase full box QTY**



GS1460



GSC074



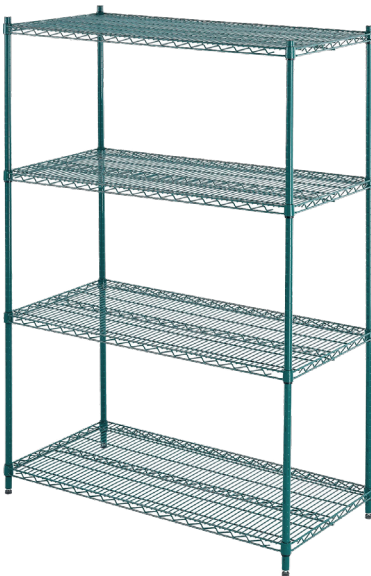
GSWB-14



GSWBD-14



CS6115



GS2448-4

Wire Green Shelves

Item #	Dimensions	Weight (Box)
GS1424	14" x 24"	12 lbs
GS1436	14" x 36"	16 lbs
GS1448	14" x 48"	21 lbs
GS1454	14" x 54"	24 lbs
GS1460	14" x 60"	27 lbs
GS1824	18" x 24"	14 lbs
GS1836	18" x 36"	19 lbs
GS1848	18" x 48"	25 lbs
GS1854	18" x 54"	27 lbs
GS1860	18" x 60"	30 lbs
GS1872	18" x 72"	36 lbs
GS2436	24" x 36"	25 lbs
GS2448	24" x 48"	31 lbs
GS2454	24" x 54"	36 lbs
GS2460	24" x 60"	41 lbs
GS2472	24" x 72"	48 lbs

Wire Green Shelves Accessories

Item #	Description
GSWB-14	14" Wall Bracket (pair)
GSWB-18	18" Wall Bracket (pair)
GSWB-24	24" Wall Bracket (pair)
GSWBD-14	14" Double Bracket (EA)
GSWBD-18	18" Double Bracket (EA)
GSWBD-24	24" Double Bracket (EA)
GSC074	74" H shelving post
CS6115	Wire shelving caster set
GS-CLIP	Wire shelving clips set
GS-FOOT	Wire shelving foot, set of 4

Wire Green Shelving Units

Item #	Dimensions	Tiers
GS1424-4	14" x 24" x 74"	4
GS1436-4	14" x 36" x 74"	4
GS1448-4	14" x 48" x 74"	4
GS1454-4	14" x 54" x 74"	4
GS1460-4	14" x 60" x 74"	4
GS1824-4	18" x 24" x 74"	4
GS1836-4	18" x 36" x 74"	4
GS1848-4	18" x 48" x 74"	4
GS1854-4	18" x 54" x 74"	4
GS1860-4	18" x 60" x 74"	4
GS1872-4	18" x 72" x 74"	4
GS2436-4	24" x 36" x 74"	4
GS2448-4	24" x 48" x 74"	4
GS2454-4	24" x 54" x 74"	4
GS2460-4	24" x 60" x 74"	4
GS2472-4	24" x 72" x 74"	4

Bun Racks



BPR20

- Open sides bun pan racks
- 3" spacing
- Welded angle slides
- 5" swivel casters
- Aluminum construction
- Ship knock-down
- NSF listed

Item #	H x W x D	Pan Capacity & Size	
BPR10	38-1/2" x 20-3/8" x 26"	(10) 18" x 26"	
BPR20	65-1/2" x 20-3/8" x 26"	(20) 18" x 26"	

Hood Filters



F1620



F2020



FT1721

(Fits all standard size exhaust hood filters)

- Dimension are in nominal
- Dish washer safe
- Built-in handles
- Stainless steel
- 6 each per box (minimum order per box)
- Fully interchangeable with existing filters
- NSF & UL certified

Item #	H x W x D	
F1216	12" x 16" x 2"	
F1616	16" x 16" x 2"	
F1620	16" x 20" x 2"	
F1625	16" x 25" x 2"	
F2016	20" x 16" x 2"	
F2020	20" x 20" x 2"	
F2025	20" x 25" x 2"	

Hood Filter Tank

Item #	H x W x D	
FT1721	34" x 17" x 21"	

Accessories

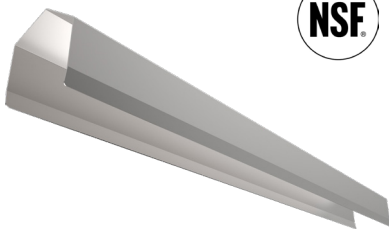
Work Table Accessories

- Heavy duty drawer for work table
- Ball bearing slides
- 200 lbs load capacity
- Stainless steel construction
- NSF listed



Pre-Rinse Basket			
Item #	W x D	Capacity	
DA-1818	18" x 18"	200 lbs	

Fryer Accessories



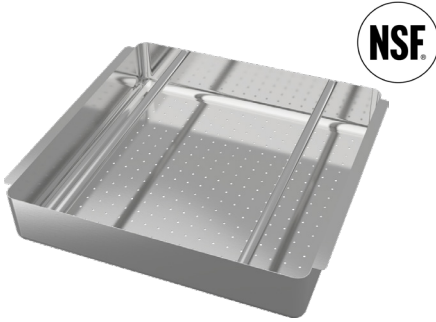
- 430 S/S 22 Ga.

Fryer Joiner Strip			
Item #	W x D x H	Weight	
JSFF21	20-1/2" x 2" x 2"	1 lbs	
JSFF23	22-1/2" x 2" x 2"	1 lbs	
JSFF27	27" x 2" x 2"	1.2 lbs	



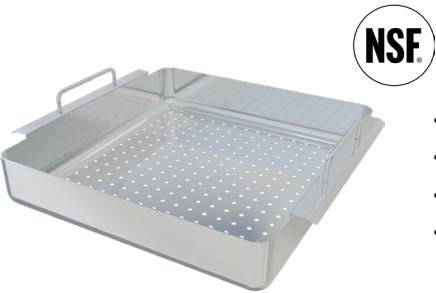
Fryer Basket Hanger			
Item #	W x D x H	Fryer	
BH50	15-1/3" x 4-1/2" x 2"	40-50 lbs	
BH75	21" x 4-1/2" x 2"	75 lbs	

S/S Baskets / Splash Guards



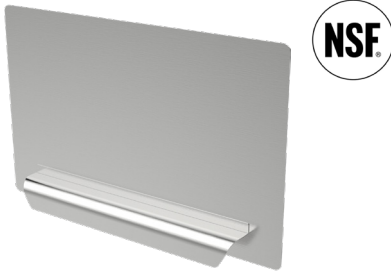
- 304 S/S 18 Ga.
- Perforated basket
- NSF listed

Pre-Rinse Basket			
Item #	For Sink Bowl Size	Weight	
SDT-2020	20" x 20"	12 lbs	



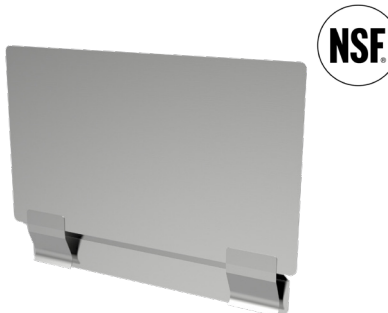
- 304 S/S 16 Ga.
- Perforated basket
- 3" deep basket
- NSF listed

Prep Sink Basket			
Item #	For Sink Bowl Size	Weight	
PSB-1515	15" x 15"	7 lbs	
PSB-1620	16" x 20"	9.5 lbs	
PSB-1818	18" x 18"	9.5 lbs	
PSB-2020	20" x 20"	11 lbs	
PSB-2424	24" x 24"	15 lbs	



- 304 S/S 18 Ga.
- Welded bracket
- NSF listed

Sink Splash Guards			
Item #	For Sink Bowl Size	Weight	
SSG15	15"	3 lbs	
SSG18	18"	4 lbs	
SSG20	20"	4 lbs	
SSG24	24"	5 lbs	



- 430 S/S 18 Ga.
- Welded bracket
- NSF listed

Fryer Splash Guard			
Item #	L x D	Weight	
FSG2012	20" x 12"	4 lbs	



LIT Equipment

Strip Warmer



- Infrared heating element
- With on/off toggle switch
- Indicator light, Aluminum shell



Item #	Size	Power	
AEBH-24	24" x 6-3/4" x 2-3/4"	120v/60/1-ph, 500 watts, 4.2 amps	
AEBH-30	30" x 6-3/4" x 2-3/4"	120v/60/1-ph, 650 watts, 5.4 amps	
AEBH-36	36-1/4" x 6-3/4" x 2-3/4"	120v/60/1ph, 850 watts, 7.1 amps	
AEBH-42	42-1/4" x 6-3/4" x 2-3/4"	120v/60/1ph, 1050 watts, 8.8 amps	
AEBH-48	48" x 6-3/4" x 2-3/4"	120v/60/1ph, 1200 watts, 10 amps	
AEBH-54	54" x 6-3/4" x 2-3/4"	120v/60/1ph, 1425 watts, 12 amps	
AEBH-60	60" x 6-3/4" x 2-3/4"	120v/60/1ph, 1550 watts, 13 amps	
AEBH-72	72" x 6-3/4" x 2-3/4"	120v/60/1ph, 1725 watts, 14.5 amps	

Strip Heaters Hardware



AEBH-CLS (Bar Heater not included)



AEBH-TLS (Bar Heater not included)

Item #	Description	
AEBH-CLS	C-Leg stand (Bar Heater Not Include) (2 per set)	
AEBH-TLS	T-Leg stand (Bar Heater Not Include) (2 per set)	

Countertop Warmer



- Wet operation, adjustable thermostat
- Cycling indicator pilot light
- Stainless steel construction
- 120v/60/1ph, 1500 watts, NEMA 5-15P

AECFW-12



Item #	Size	Amps	
AECFW-12	Accepts 12" x 20" full size pan	13.6 amps	
AECFW-43	Holds (4) each 1/3 size pans	12.5 amps	

Chip Warmer



- Top load style, first in/first out design
- Clamp-on removable heating module
- Adjustable rear-mounted thermostat (90°F-190°F)
- 4" - 5" Adjustable legs
- 120v/60/1ph, 1500 watts, 12.5 amps, NEMA 5-15P

AECW26



Item #	Capacity	
AECW26	26 gallon	
AECW46	46 gallon	

Heated Holding & Proofing Cabinet



AEHP05WR-ICD

- Fully insulated
- Aluminum construction
- Removable bottom mount control module
- Thermostat up to 185°F
- 120v/60/1-ph, NEMA 5-15P
- Polycarbonate clear door and solid aluminum door options



AEHP16WR-ICD



AEHP16WR-ISDD



AEHP36-ISDD



AEHP36-ICD



Item #	Door Type	Pan Capacity	
AEHP05WR-ICD	Clear Polycarbonate	(5) 12" x 20" x 2-1/2"	
AEHP16WR-ICD	Clear Polycarbonate	(16) 12" x 20" x 2-1/2"	
AEHP16WR-ISDD	Solid Dutch	(16) 12" x 20" x 2-1/2"	
AEHP36-ISDD	Solid Dutch	(36) 18" x 26"	
AEHP36-ISDD	Clear Polycarbonate	(36) 18" x 26"	

Warming Drawer



AEDW-1



- Stainless steel construction
- (1) 12" x 20" x 6" stainless steel pan
- Free standing
- Individual thermostat controls
- Moist/crisp door vents
- 5" adjustable legs, 120v/60/1-ph, 3.75 amps



AEDW-2



- Stainless steel construction
- (2) 12" x 20" x 6" stainless steel pan
- Free standing
- Individual thermostat controls
- Moist/crisp door vents
- 5" adjustable legs, 120v/60/1-ph, 7.5 amps



AEDW-3



- Stainless steel construction
- (3) 12" x 20" x 6" stainless steel pan
- Free standing
- Individual thermostat controls
- Moist/crisp door vents
- 5" adjustable legs, 120v/60/1-ph, 11.25 amps

Item #	Dimension	
AEDW-1	27-3/4"W x 21"D x 14-7/8"H	
AEDW-2	27-3/4"W x 21"D x 24-1/4"H	
AEDW-3	27-3/4"W x 21"D x 33-5/8"H	

Can Opener



ATS-AECO-1



ATS-AECO-1G

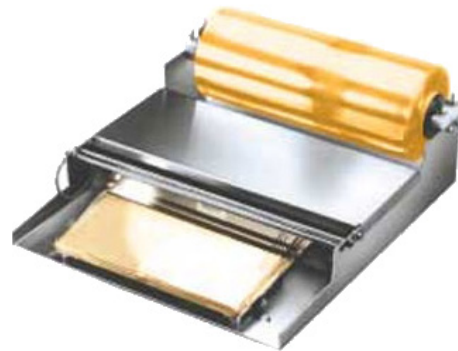


ATS-AECO-1K

Item #	Description	
AECO-1	#1 Can Opener with stainless steel base	
AECO-1G	Gear for use #1 Can Opener	
AECO-1K	Knife for use #1 Can Opener	

Film Wrapping Dispenser

- 22-1/2"W x 26"D x 5"H, One Roll Capacity
- Stainless steel and aluminum construction
- 120v/60/1-ph, 6.5 amps, 725 watts
- Film roll not included



AEFW-18



Item #	Description	
AEFW-18	Heat Seal film wrapping dispenser	

Pro Swinging Traffic Door



- Tempered aluminum with satin anodized finish
- Hinge included
- 9" x 14" window for both sizes

Item #	Fits Door Opening	
AEKD-30	30" x 84"	
AEKD-36	36" x 84"	

Wok Range



- Stainless steel construction
- 12" heavy duty legs
- CSA & CSA Sanitation



Item #	Burner Opening	BTU	
AEWR-13	13"	125,000	
AEWR-16	16"	160,000	

Warranty Info

LIMITED WARRANTY: ATS MFG guarantees that its cooking equipment is free from defects in materials and workmanship under normal use for one (1) year from the original purchase date. During this period, Consumer Priority Service (CPS) will provide repair or replacement service for qualifying issues at no additional cost to the customer.

What is Covered?:

- A. Manufacturer defects in materials and workmanship
- B. Mechanical or electrical failure due to normal usage
- C. Replacement parts and labor for covered repairs
- D. On-site service or depot repair as determined by CPS

What is NOT Covered?:

- A. Damage caused by misuse, neglect, or improper installation
- B. Cosmetic damage (scratches, dents, or discoloration)
- C. Normal wear and tear
- D. Unauthorized repairs or modifications
- E. Damage caused by natural disasters or power surges

How to Register Your Warranty:

By Phone: Call 1-800-905-0443

Online: Visit www.cpscentral.com and click 'Register Your Plan'

How to File a Warranty Claim:

By Phone: Call 1-800-905-0443

Online: www.cpscentral.com/how-to-file-a-claim/

Have the following information ready: Warranty ID Number, Valid Proof of Purchase, Product Make, Model, and Serial Number

PURCHASER'S INSPECTION UPON RECEIPT OF EQUIPMENT: All Equipment shall be carefully inspected by Purchaser upon receipt, be installed by persons who are trained and certified professionals with respect to such installation, and be installed, used, repaired and maintained by Purchaser in accordance with all applicable local laws, codes and regulations.

Additional Terms & Conditions: This warranty is non-transferable and applies only to the original purchaser. ATS MFG and CPS are not responsible for incidental or consequential damages, and the warranty service is available only in the United States.



Warranty info



LIMITED WARRANTY: ATS MFG warrants all MET Stainless Steel & FLO Faucet products, when properly installed and subject to normal use, are free from defects in material or workmanship for a period up to one (1) year.

With regard to these equipment, a defect shall refer to a variance from the design specifications that prohibit the Equipment from operating for its intended use. The Warranty provided by ATS MFG does not impose any duty or liability upon ATS MFG for degradation that occurs in the normal course over time, or due to improper installation of the Equipment by Purchaser or their representative.

CORROSION and RUST WARRANTY on MET Green Epoxy Green Shelves: MET Green Epoxy Wire Shelvings, Shelving Units, and Wall Brackets also carries a warranty against corrosion and rust formation following Ten (10) Years from Product Ship Date.

Determination of repair or replacement will be at the sole discretion of ATS MFG.

EXCLUSION FROM WARRANTY COVERAGE:

- A. Any damage occurring, at any time, during shipping of Equipment unless otherwise provided for in the Agreement. When returning Equipment to ATS MFG for repair or replacement, Purchaser assumes all risk of loss or damage, and agrees to use any shipping containers that might be provided by ATS MFG and to ship the Equipment in the manner prescribed by ATS MFG;
- B. Any damage caused by improper installation and/or use, overloading, accident, improper storage, or neglect, alterations, modifications, or additions;
- C. Any statement made about the product by salesman, dealers, distributors or agents, unless such statements are in a written document signed by an officer of ATS MFG. Such statements are not included in a signed writing do not constitute warranties, shall not be relied upon by Purchaser and are not part of the contract of sale.

PURCHASER'S INSPECTION UPON RECEIPT OF EQUIPMENT: All Equipment shall be carefully inspected by Purchaser upon receipt, be installed by persons who are trained and certified professionals with respect to such installation, and be installed, used, repaired and maintained by Purchaser in accordance with all applicable local laws, codes and regulations.

ASSIGNMENT OF RIGHTS: The Warranty contained herein extends only to the original Purchaser of the Equipment and no attempt to extend the Warranty to any subsequent user or transferee of the Equipment shall be valid or enforceable without the express written consent of ATS MFG. Any attempt by Purchaser to assign this Warranty shall render the Warranty.

ATSMFG Policies & Terms.

This section provides a high-level overview of ATSMFG's terms, ordering process, shipping practices, and warranty coverage. It is designed to help dealers and partners understand how we work together.

For complete and most current policies, please visit www.atsmfg.com or contact our Customer Service team.

Terms & Conditions

All sales are subject to ATSMFG's Terms & Conditions.

By submitting a purchase order to ATSMFG, the customer agrees to comply with and be bound by these terms.

ATSMFG's written Order Acknowledgment, generated from the customer's purchase order, constitutes the governing agreement for production, shipment, and invoicing. Customers are responsible for reviewing all ATS communications carefully.

Ordering & Handling

Ordering Process: All purchase orders must be submitted in writing. Orders enter production once:

- Credit terms are approved
- Pricing and freight are confirmed
- All product specifications are complete

ATSMFG will issue a written Order Acknowledgment confirming product details, quantities, pricing, freight terms, and requested ship or pick-up dates. Customers must review the Order Acknowledgment promptly and report any discrepancies within 24 hours of receipt.

Pricing, Quotes & Payment Terms: All pricing is quoted in U.S. dollars and is subject to change without notice. Product and freight quotes are typically valid for 15 days, unless otherwise stated. Lead times are estimates based on current production schedules and material availability and may change if conditions evolve.

New accounts may require deposits or prepayment. Credit terms are available to approved accounts. Accounts with past-due balances may be placed on credit hold, which may delay production or shipment.

Order Changes & Cancellations: All order changes and cancellations must be submitted in writing and are subject to ATS approval. Approved changes may result in additional costs, including materials, labor, or restocking fees. Orders already in production or completed may not be eligible for cancellation.

Shipping & Freight

Shipping Methods & Routing: ATSMFG ships within the continental United States. Shipping is arranged according to instructions provided on the purchase order:

- Customer's third-party carrier
- ATSMFG-arranged freight (freight quote provided for approval)
- Freight charges & delivery requirements must be confirmed prior to shipment

Customer Pick-Up: Customer-arranged pick-up is available by appointment. Pick-up vehicles must be appropriate for the size and weight of the order.

ATSMFG reserves the right to refuse release of merchandise if the vehicle is deemed unsafe or unsuitable. Pick-up delays may result in storage or handling fees.

Delivery Inspection & Freight Claims: Customers are responsible for inspecting shipments at the time of delivery. Visible damage must be noted on the delivery receipt before signing. Concealed damage must be reported promptly and original packaging retained. ATSMFG assumes responsibility for freight damage only on shipments arranged through ATSMFG freight accounts, subject to proper documentation and claim timelines. Freight claims must be submitted in writing using the ATSMFG Freight Claim Evaluation Form.

Unforeseen Delays: ATSMFG is not responsible for delays or inability to perform caused by events beyond our reasonable control, such as material shortages, transportation disruptions, labor interruptions, public health events, or government actions. If such circumstances arise, we will communicate promptly and work in good faith with our customers to adjust

Warranty & Returns

ATSMFG provides limited warranties across our product categories to cover qualifying manufacturer defects in materials and workmanship. Warranty coverage varies by product type and is subject to the terms outlined in the applicable warranty documentation.

- Furniture: We warrant qualifying furniture products against manufacturer defects in materials and workmanship for one (1) year from the original date of purchase.
- Equipment: MET and FLO products are covered under a one (1) year limited warranty against defects in materials or workmanship under normal use. LIT equipment is covered under a one (1) year limited warranty and serviced by Consumer Priority Service (CPS).

What Is Not Covered: Normal wear and tear; Improper use, installation, or maintenance; Products sold as custom, closeout, as-is, or used; Natural material variations, including wood grain, color variation, or minor warping

Warranty Claims Process & Timing: Warranty claims must be submitted in writing using the ATSMFG Warranty Evaluation Form. Claims must be reported within the timeframe specified in the applicable warranty. Upon review, ATSMFG will advise on repair, replacement, or other resolution if the claim is approved.

Returns: Non-warranty returns require prior written authorization. Approved returns may be subject to restocking and handling fees and must be freight prepaid. Custom products are not eligible for return.

Contacting ATSMFG

Everyone at ATSMFG is available on email via FirstName@ATSMFG.com or phone during business hours.

- Freight Quotes: Freight@ATSMFG.com
- Questions: CSR@ATSMFG.com
- Orders: PO@ATSMFG.com
- Phone: 770-270-1688
- Text: 404-625-7432



How Soon Can I Get It? What About More Choices?

At **ATSMFG**, every project matters. Your timeline, budget, and customization needs define the solutions we deliver. Whether you need value-driven QuickShip options, custom upholstery, or unique design enhancements, we work to provide the right fit for your operation.

From the Front-of-House to the Back-of-House, your project remains our top priority.

With flexible solutions and a broad range of options, you get your restaurant, your way.



EZ-to-You 24-72 Hours



EZ-Booths™, Table Bases, QuickShip Tops, and Metal Chairs with loose seats ship in as little as 48 hours. Ideal for fast-turn projects and immediate replacement needs.



QuickShip 7-14 Days



Attached Seating, Wood Chairs, Hostess Stands, Trash Receptacles require production time, but still ship fast! Built for fast delivery without sacrificing commercial quality. All our QuickShip products (this complete Price Book) ship within 2 weeks.



Built-to-Order 4-8 Weeks

Start with proven standard designs, then tailor the details to your needs. Add or change wood accents, select unique upholstery, and adjust trim or finishing details, all without the longer production time of full custom.



Full Custom 2-4 Months

For projects that require new builds, special dimensions, unique materials, or one-of-a-kind designs, we build to your exact vision. More customization requires more time, but delivers maximum flexibility.

Please note that lead times shown are estimated ship times and do not include transit, delivery, or installation unless specifically quoted. Large quantities, final approvals, missing information, special materials, or freight affect production timing.

ATSMFG **Front-of-House to Back-of-House. Exceptional Value, Reliable quality.**

For more than 30 years, **ATSMFG** has served the restaurant equipment industry with reliable quality, responsive service, and competitive pricing. What began as American Tables & Seating has grown into a complete restaurant project solutions partner. Sold via restaurant equipment dealers, foodservice providers, designers, and architects nationwide.

Through our family of brands, we design, manufacture, and source commercial furniture, equipment, tabletop, and supplies. Our solutions are designed to scale from single unit to multi-location roll-outs.



American Tables & Seating

Complete seating and furniture solutions, from design to delivery. EZ, QuickShip, Built-to-Order, and Custom programs cover the full range of needs with commercial-grade seating, tables, and accessories engineered for comfort, and long-term performance in high-traffic environments.



Stone Mountain Tabletop

A broad selection of dinnerware, drinkware, flatware, and serving pieces designed to elevate presentation and withstand the pace of daily service, all ideal for operators who need style, consistency, and replenishment.



MET Stainless

Commercial stainless-steel equipment and powder-coated shelving built for demanding kitchens. Competitively priced and ready to ship. MET helps improve organization, workflow, and long-term reliability with practical, job-tested essentials.



FLO Commercial Faucets

Heavy-duty commercial kitchen faucet and pre-rinse solutions built for everyday durability. FLO Faucets support efficient dish and prep operations with dependable performance.



LIT Equipment

Back-of-house equipment including warmers, proofers, and cabinets. LIT is designed to support efficient, high-volume kitchen operations where reliability and consistency matter.



Mama Lucy Restaurant Supplies

Trusted supplies for decades, selected and approved by Mama Lucy. Everyday front-of-house and back-of-house essentials that keep operations running smoothly, shift after shift.



Z-Source Global Procurement & Logistics

Our newest brand under the **ATSMFG** umbrella. Z-Source is built on more than 30 years as the behind-the-scenes backbone of **ATSMFG**.

Today, the expertise and convenience is available to all dealers! Z-Source provides white-glove, cost-effective, mixed-container procurement and logistics. Available from the smallest to the largest need for single and multi-location hospitality needs across the U.S.